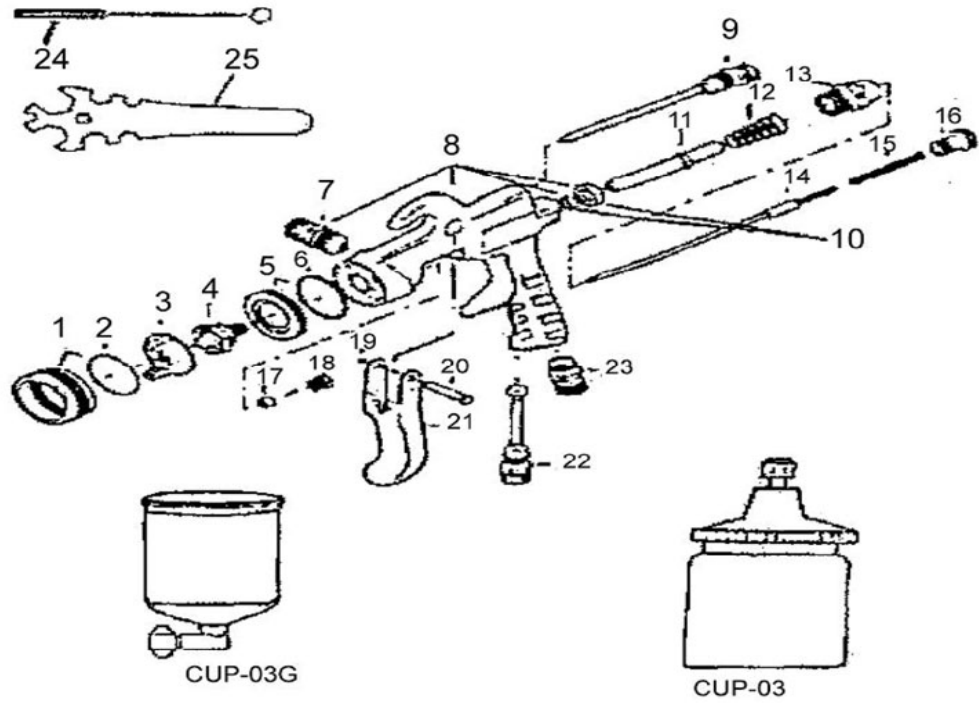


903G/ 903H



Ref #	Description	Order #	Price Ref #
1	RETAINING RING	See Chart 1	
2	SEAT	See Chart 1 / **	
3	AIR CAP	See Chart 1	
4	FLUID TIP	See Chart 1	
5	BAFFLE	W-03H-05	W643
6	GASKET	**	
7	FLUID INLET	W-03H-07	W644
8	GUN BODY	-----	
9	PATTERN VALVE	W-03H-09	W645
10	VALVE SEAL KIT	W-03H-10	W646
11	AIR VALVE	W-03H-11	W647
12	VALVE SPRING	**	
13	AIR VALVE BUSHING	W-03H-13	W648
14	NEEDLE	See Chart 1	
15	NEEDLE SPRING	**	
16	ADJUSTING SCREW	W-03H-16	W649
17	NEEDLE PACKING	**	
18	PACKING GLAND	W-03H-18	W650
19	E-RING	**	
20	BEARING STUD	W-03H-20	W651
21	TRIGGER	W-03H-21	W652

Ref #	Description	Order #	Price Ref #
22	CHEATER VALVE	W-03H-22	W653
23	AIR CONNECTOR	W-03H-23	W654
P3	TOOL SET (24+25)	W-P3	W740
24	BRUSH	-----	
25	SPANNER	-----	

Chart 1	Description	Order #	Price Ref #
Tip Size	NOZZLE SET		
0.8	0.8 mm needle, nozzle, air cap set	KIT-03H-08	0304
1.0	1.0 mm needle, nozzle, air cap set	KIT-03H-10	0304
1.4	1.4 mm needle, nozzle, air cap set	KIT-03H-14	0304
1.8	1.8 mm needle, nozzle, air cap set	KIT-03H-18	0304
**		ACC-R-903	0305

Chart 2	Description	Order #	Price Ref #
Ref #			
	(adapter for 903H to use Cup-02)	ADAPTER-03	5047
	gravity side cup 400c.c.	CUP-03G	5018
	siphon cup 600c.c.	CUP-03	5017